

Extruded Aluminum Louver • 6" Deep • 35° Drainable Blades • Concealed Mullion • Combination Adjustable

Standard Construction and Materials

FRAME: .081" thk. (nominal) extruded aluminum 6063-T52/T6 alloy.

BLADES: Stationary blades are .081" thk. (nominal) extruded aluminum 6063-T52/T6 alloy. Adjustable Blades are made from .125" thk. (nominal) extruded aluminum 6063-T52/T6 alloy. Blades are approximately 4½" on centers.

LOUVER FACE: Full width sill with head and blades contained within jambs. Concealed mullion with continuous length stationary blade.

LINKAGE: Extruded aluminum, concealed in the channel out of the airstream. The pivots, which rotate in Celcon bearings, are ½" dia. plated and machined steel. The pivot is locked to the ¾" dia. aluminum linkage rod by a ¼ - 20 set screw with epoxy locking patch.

BEARINGS: Celcon bearing material so there will be no metal to metal friction.

SHAFT: ½" dia. aluminum "Pin-Lock" rod.

SEALS: Extruded silicone rubber seals at blade edge. Foam on bottom blade. Stainless steel at jambs.

SCREEN: (When indicated, in a removable frame)

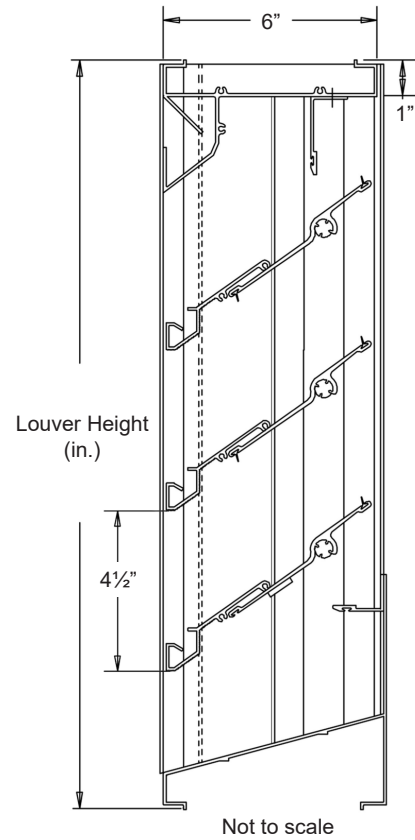
½" flattened aluminum, .051" thk.,

-or- Insect screen 1¼% aluminum mesh, .011" dia.,

-or- ½" sq. mesh intermediate double crimped aluminum wire, .063" dia.

FINISH: Mill.

ACTUATOR: 120 VAC spring return normally closed.
133 in-lbs. torque.



Options

Finishes - Enamels, Epoxies, etc.

Other screens available.

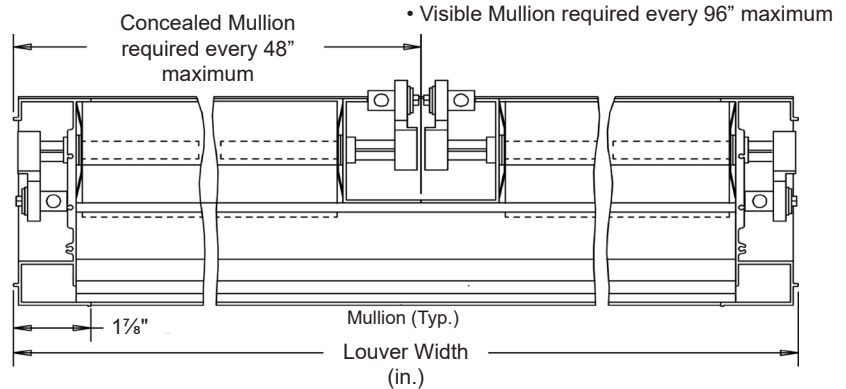
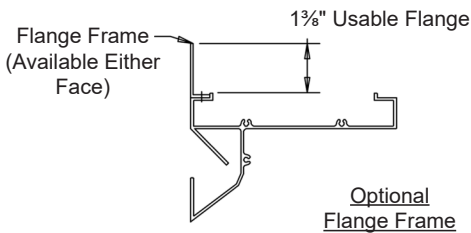
Actuators - Electric, Pneumatic, Manual, etc.

Notes

- Nominal deductions will be made to the opening size given.
- Approximate shipping weight is 5.7 lbs./sq.ft.

Louver Sizes

Min Panel	Max Single Panel
12"W x 12"H	96"W x 72"H



										
Item #	Qty	Width	Height	Width	Height	Mullion	Type	Location		
Arch. / Eng.:		Opening Size		Louver Size		EDR:	Screens		ECN:	Job:
Contractor:										
Project:						Date:	DWN:	DWG:		

In the interest of product development, Cesco Products reserves the right to make changes without notice.



450 Riverside Dr • Wyalusing PA, 18853
Phone: 570-746-1888 • Fax: 570-746-9286
www.cescoproducts.com